

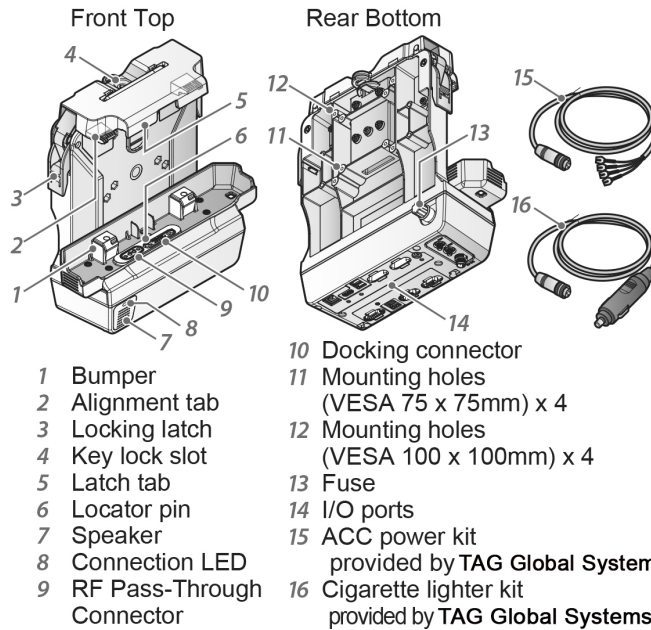


Vehicle Docking Station
Desktop Dock
Battery Docking Station
TAG GD3030

1.800.630.4708 ♦ www.tagglobalsystems.com

TAG GD3030

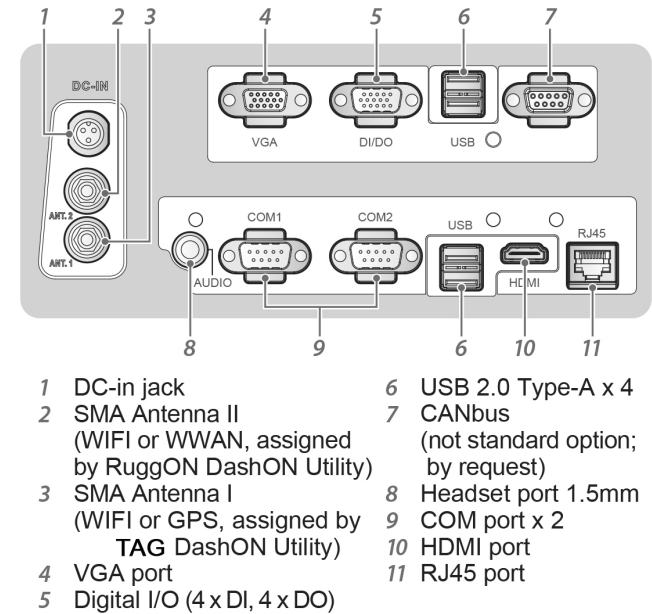
Overview



- 1 Bumper
- 2 Alignment tab
- 3 Locking latch
- 4 Key lock slot
- 5 Latch tab
- 6 Locator pin
- 7 Speaker
- 8 Connection LED
- 9 RF Pass-Through Connector
- 10 Docking connector
- 11 Mounting holes (VESA 75 x 75mm) x 4
- 12 Mounting holes (VESA 100 x 100mm) x 4
- 13 Fuse
- 14 I/O ports
- 15 ACC power kit provided by TAG Global Systems
- 16 Cigarette lighter kit provided by TAG Global Systems

TAG GD3030

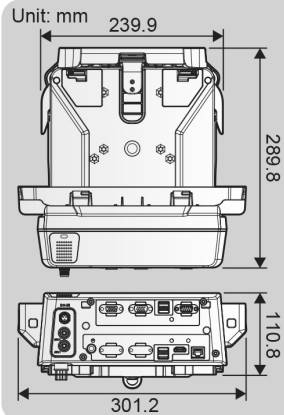
I/O Ports



- 1 DC-in jack
- 2 SMA Antenna II (WIFI or WWAN, assigned by RuggON DashON Utility)
- 3 SMA Antenna I (WIFI or GPS, assigned by TAG DashON Utility)
- 4 VGA port
- 5 Digital I/O (4 x DI, 4 x DO)
- 6 USB 2.0 Type-A x 4
- 7 CANbus (not standard option; by request)
- 8 Headset port 1.5mm
- 9 COM port x 2
- 10 HDMI port
- 11 RJ45 port

TAG GD3030

Specification



Details	Quantity
USB	4
RS-232	2
RJ45	1
VGA	1
HDMI	1
Audio	1
Speaker	1
SMA antenna	2
DI/DO	4xDI; 4xDO
CAN bus	By Request
DC-in	1

Output Power 19V @ 1.57A Max., total output 30W

Input Power 9VDC to 32VDC

LED x 1 (Blue)

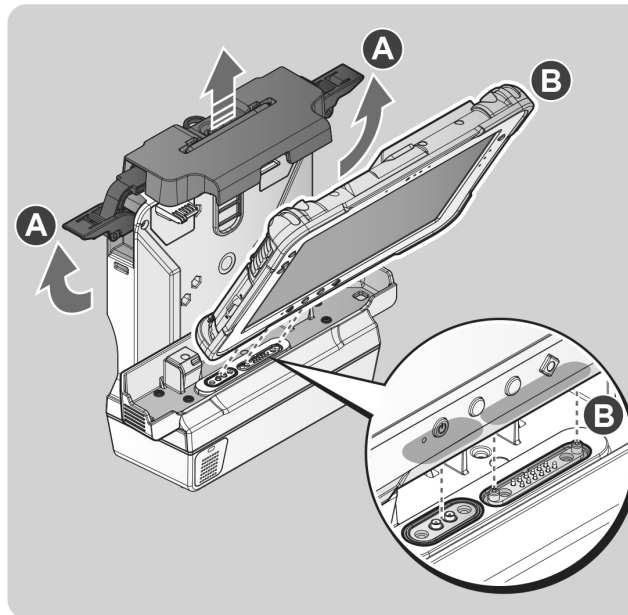
IP Rating IP54

Operating Temperature Range -10°C (14°F) to 50°C (122°F)

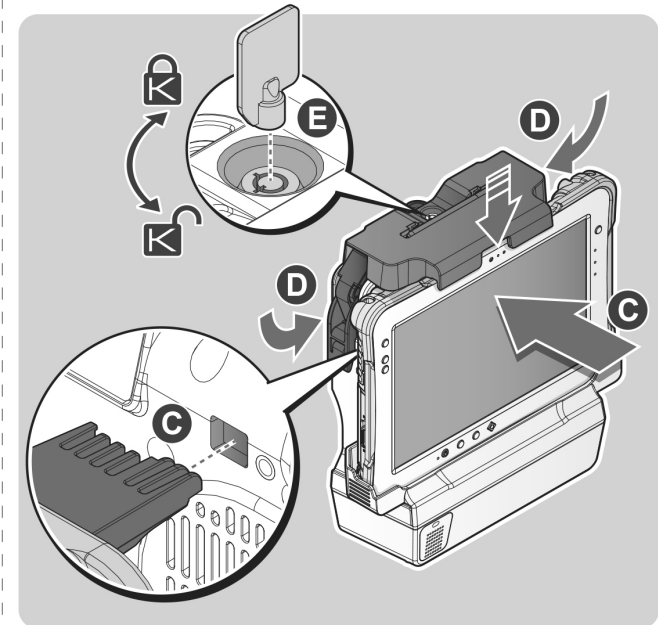
Storage Temperature Range -30°C (-22°F) to 80°C (176°F)

TAG GD3030

Vehicle Docking Station



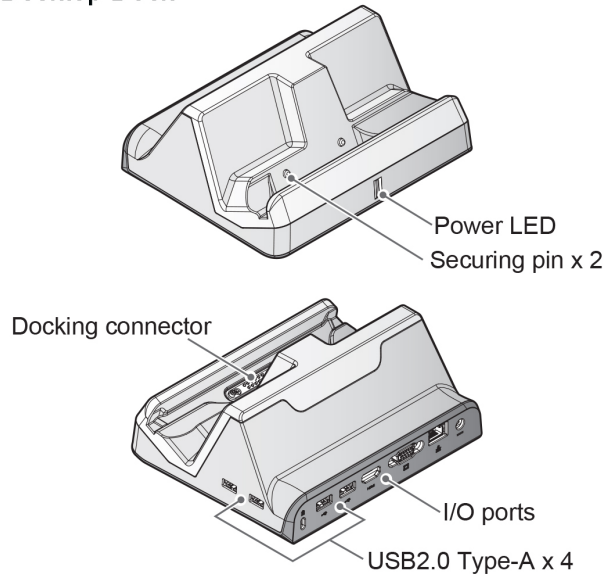
Installation



TAG GD3030

Overview

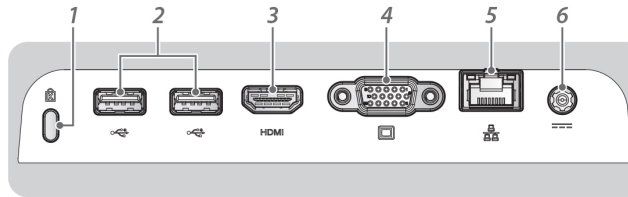
Desktop Dock



TAG GD3030

I/O Ports

Desktop Dock

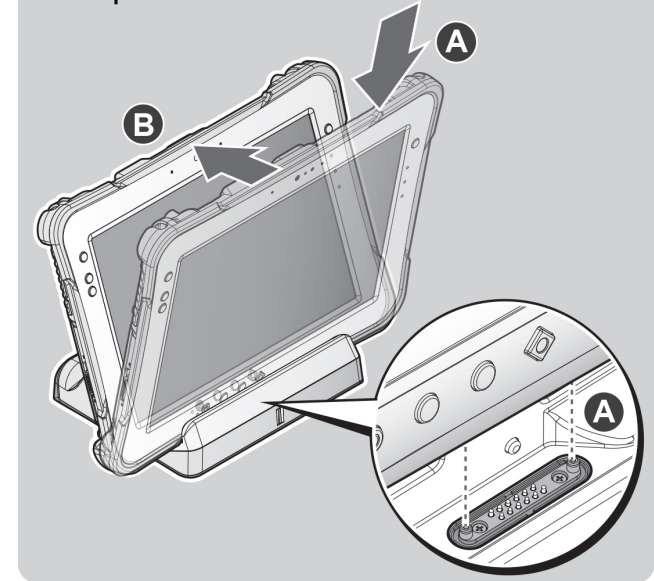


	I/O	Details
1	Kensington® Lock	1
2	USB2.0 Type-A	4
3	HDMI port	1
4	VGA port	1
5	RJ45 port	1
6	DC-in Jack	1

TAG GD3030

Charging

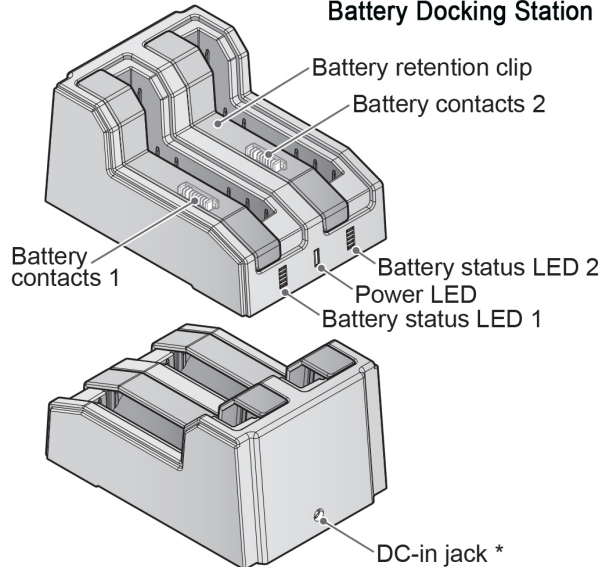
Desktop Dock



TAG GD3030

Overview

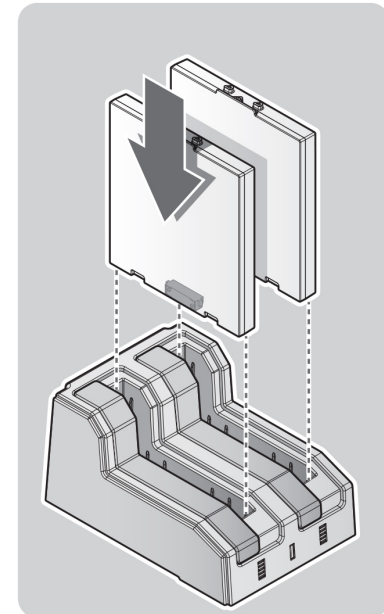
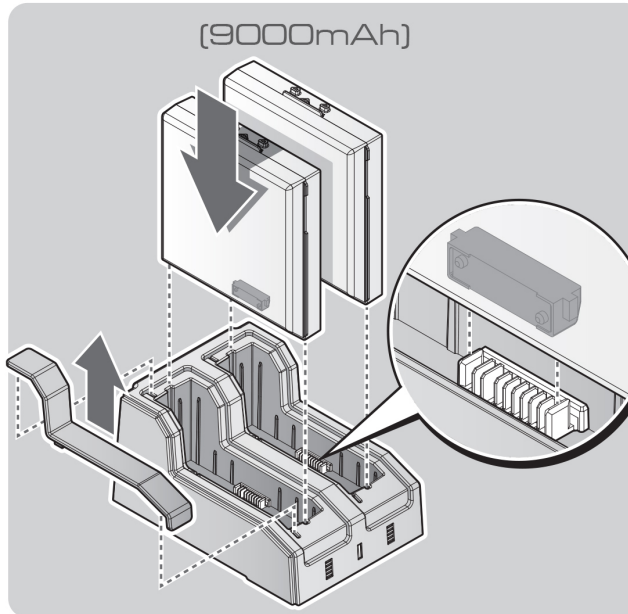
Battery Docking Station



* The EB200 only supports the following AC adapter: 19VDC (3.43.A)

TAG GD3030

Battery Docking Station



Charging

	Charge: ~ 20%
	Charge: ~ 40%
	Charge: ~ 60%
	Charge: ~ 80%
	Charge: ~ 100%
	Full charge