



TAG GD700

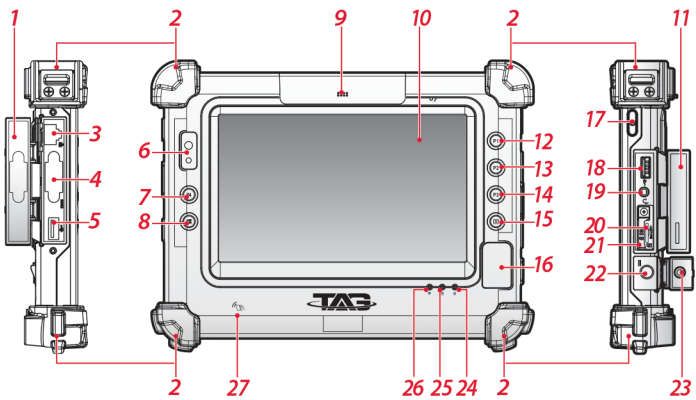
7" Rugged Tablet

Quick Reference Guide



©2018 TAG Global Systems. All rights reserved.

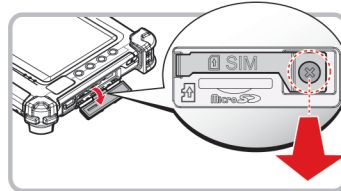
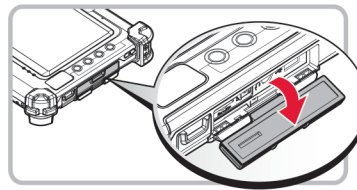
Overview



- | | |
|----------------------------------|-----------------------|
| 1 Left I/O compartment cover | 15 Menu button |
| 2 Rubber bumpers | 16 Fingerprint reader |
| 3 LAN | 17 Power button |
| 4 RS-232 | 18 USB 3.0 |
| 5 USB 3.0 | 19 Audio jack |
| 6 Front camera | 20 MicroSD slot |
| 7 P4 button | 21 Micro SIM slot |
| 8 Windows button | 22 DC-IN jack |
| 9 Snap-on module connector cover | 23 DC-IN cover |
| 10 Touch screen | 24 Power LED |
| 11 Right I/O compartment cover | 25 Storage access LED |
| 12 P1 button | 26 Wi-Fi LED |
| 13 P2 button | 27 NFC |
| 14 P3 button | |

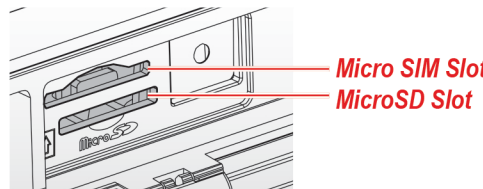
SIM Card and SD Card

1. Flip the I/O cover open.
2. Remove the screw securing the SIM slot securing bracket.
3. Remove the securing bracket.



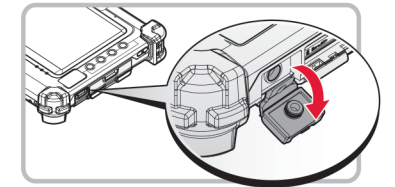
Note: Step 2 and 3 are only applicable when installing a SIM card.

4. The card has a corner missing. Align the card with the slot making sure that the corners match.
5. Insert the card and press it in until an audible click sounds.

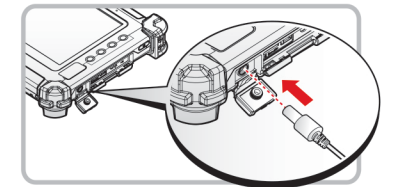


Charging

1. Flip open the DC-IN cover to expose the DC-IN jack.

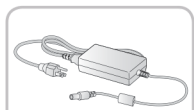


2. Connect the AC adapter to the DC-IN port.

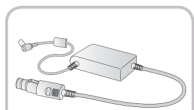


Note: Before first use, fully charge the battery.

Accessory



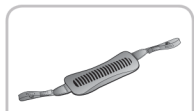
Power Adapter



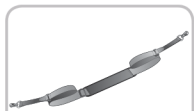
Car Adapter*



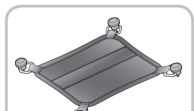
Stylus



2-Point Carrying Handle



2-Point Shoulder Strap



4-Point Handstrap



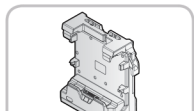
Extended Battery*



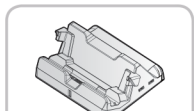
Battery Charger*



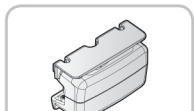
MSR with Barcode*



Vehicle Dock*

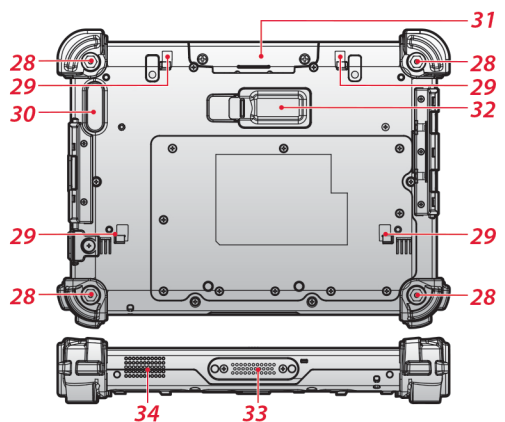


Desktop Dock*



MSR with MRZ*

*Optional, not included in the standard package.

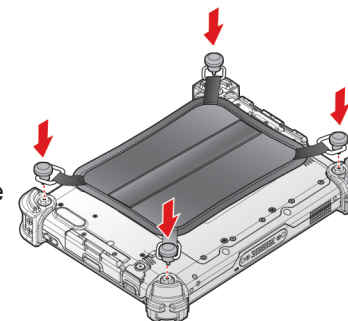


- | | |
|-----------------------------------|-------------------------------------|
| 28 Securing holes | 32 Extended battery connector cover |
| 29 Extended battery bracket slots | 33 Docking connector |
| 30 Rear camera | 34 Speaker |
| 31 Snap-on module connector cover | |

Strap

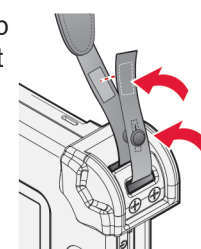
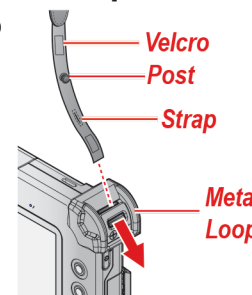
HandStrap

1. Place the D-rings over the upper and lower positions on the device.
2. Twist the D-rings (clockwise) to secure the handstrap.



Carrying Handle and Shoulder Strap

1. The handle must be positioned so that the securing post and velcro side are facing outward.
2. Thread one end of the strap through the metal loop on the bumper.
3. Pull the strap end through the loop and insert the post through the slit on the strap.
4. Secure the strap by attaching the two velcro ends together.



Power On

1. Press and hold the power button for at least 1 second to power on the device.

